



DATABLAD

Label Printer and Applicator

Legi-Air 2050

Legi-Air 2050

Low Cost Compact Print Apply System – Easy to Integrate and Easy to Operate!

The compact and low-cost Legi-Air 2050 label print and apply system designed for automated print and apply processes in production lines. It can also be used in semi-automatic mode, where automatic label application is not required, the system can be used as a label print and dispense system, with label application by the operator manually.

The printer used is a SATO of the CLNX series with 300 dpi resolution. The printer works with many programming languages such as ZPL, DPL, IPL, and TPL without having to change any settings. Printer Errors are easily diagnosed with the messaging system on the printer panel, the user can view a video on the printer display, showing how the error can be corrected. The labeller prints small labels from 40 x 30mm up to labels in DIN A6 format and bigger and then applies them in their precise position.

Application rates of 25 labels per minute with a label format of 80 x 60 mm can be achieved without any problems. Higher dispenser speeds can be achieved, depending on the label material, format, and application.

The robust system offers maximum performance with a small compact footprint with a highly efficient low energy tamp blow applicator for contactless labelling.

The variable stroke provides for automatic labelling of products of varying heights. The system permanently ensures that the labels are in the correct position before being blown onto the product.

The Legi-Air 2050 is a compact reliable work horse, its robust applicator with Festo pneumatics and recirculating ball bearing system provides a durable composite design and guarantees labelling accuracy during the print apply process. In order to reduce reel change times, the labeller comes out ahead of alternatives in the market: It handles larger label rolls – with an outer diameter of 218 mm – and therefore applies an average of 20 percent more labels therefore reducing reel change downtime.

The print ribbon length of 600 mtrs ensures that the labeller can perform continuous label printing over longer periods of time. If the ribbon or labels have to be changed, this is done quickly and easily due to the modular design and ease of access to the printer mechanism.

Technical data

Printing technique
Thermal transfer or direct thermal

Printing resolution
12 pixels/mm (300 dpi)
optionally:
9 pixels/mm (203 dpi)
24 pixels/mm (600 dpi)

Printing speed
Up to 200 mm per second with 300 dpi

Dispensing power
Up to 30 labels per minute; the dispensing power depends on the label size, label change, and stroke

Dispensing applicators
Linear stroke 170 mm

Tamp sizes
120 x 160 mm
Optionally smaller sizes available

Label size
minimum: 40 x 30 mm
maximum: 120 x 160 mm

Label clearance
Minimum 3 mm

Label roll
Maximum roll diameter 218 mm, up to 200 linear meters of label web, roll core 76.2 mm (3 inches), outside winding

Data interfaces
1 x USB (type B), 1 x LAN, Bluetooth,
2 x USB (TYPE A),
1 x IEEE1284, optionally: W-LAN

Programming languages
SBPL (Sato)
SDPL (Datamax emulation)
SZPL (Zebra emulation)

SIPL (Intermec emulation)
STPL (Toshiba-TEC emulation)

Control interfaces
Potential-free outputs (relays),
optocoupler inputs,
SUB-D connection for photoelectric
cell and customer signals

Position accuracy of the labels applied
Standard: up to ± 1.5 mm

Print application activation
Reflex sensor, photoelectric barrier,
inductive or capacitive sensor, micro-
switches, potential-free contacts (PLC)

Alarm system
Standard: LED error message,
potential-free contacts (e.g. for
connection of a PLC)

Compressed air connection
6 bar, the compressed air must be clean,
dry, and free of oil (DIN ISO 8573-1)

Compressed air consumption
2.2 l per dispensing cycle* with 6 bar
(for most applications)

Weight
From 33 kg, depending on the design

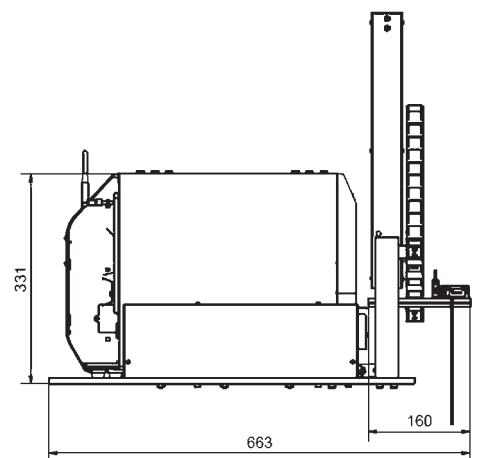
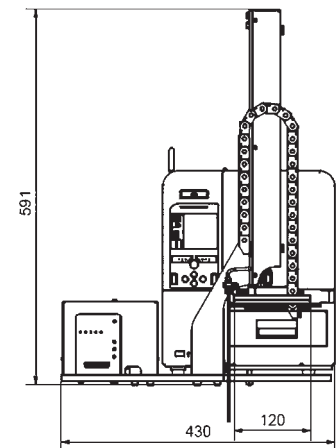
Electrical connection
90 to 263 VAC, 50/60 Hz, 5 Amperes

Ambient conditions
Operating temperature: 10 °C to 35 °C,
15 % to 95 % relative air humidity,
non-condensing

Approval
CE mark

Options
Legitronic® label printing software,
start-up kits with consumable material
and adapted tamps, U-arm suspension
fixture for flexible mounting, stand
in different designs (fixed, spindle-
adjustable, mobile)

Dimensions



Technical changes reserved at any time.

*Label format 100 x 150 mm, full stroke, printing
speed 8 ips, 5 bar compressed air connection

 **Logimark AB**

För mer information kontakta:
ACT Logimark Sverige AB
Topplocksgatan 3, SE-212 41 MALMÖ
Tel:040-59 76 80 Fax:040-49 76 89
E-post:info@logimark.se
www.logimark.se